

EXPERIENCE HIGHLIGHT

Steam Fire

TABLE RISERS

click here
to view full
product
information
deck

Check this out ...



HAVE SOMETHING YOU WOULD LIKE TO SHARE WITH ALL OF LEVY? SHARING IS AS EASY AS POSTING TO SOCIAL MEDIA

[CLICK HERE TO FIND OUT MORE](#)



VISIT THE EXPERIENCE DESIGN RESOURCE SITE FOR FUN IDEAS, INSPIRATION, INFORMATION, AND MORE

[CLICK HERE TO FIND OUT MORE](#)



HAVE YOU JOINED OUR EASY TO USE, CORPORATE DESIGN PROGRAM ACCOUNT TO CREATE EYE-CATCHING PIECES OF VISUAL CONTENT?

[CLICK HERE TO FIND OUT MORE](#)



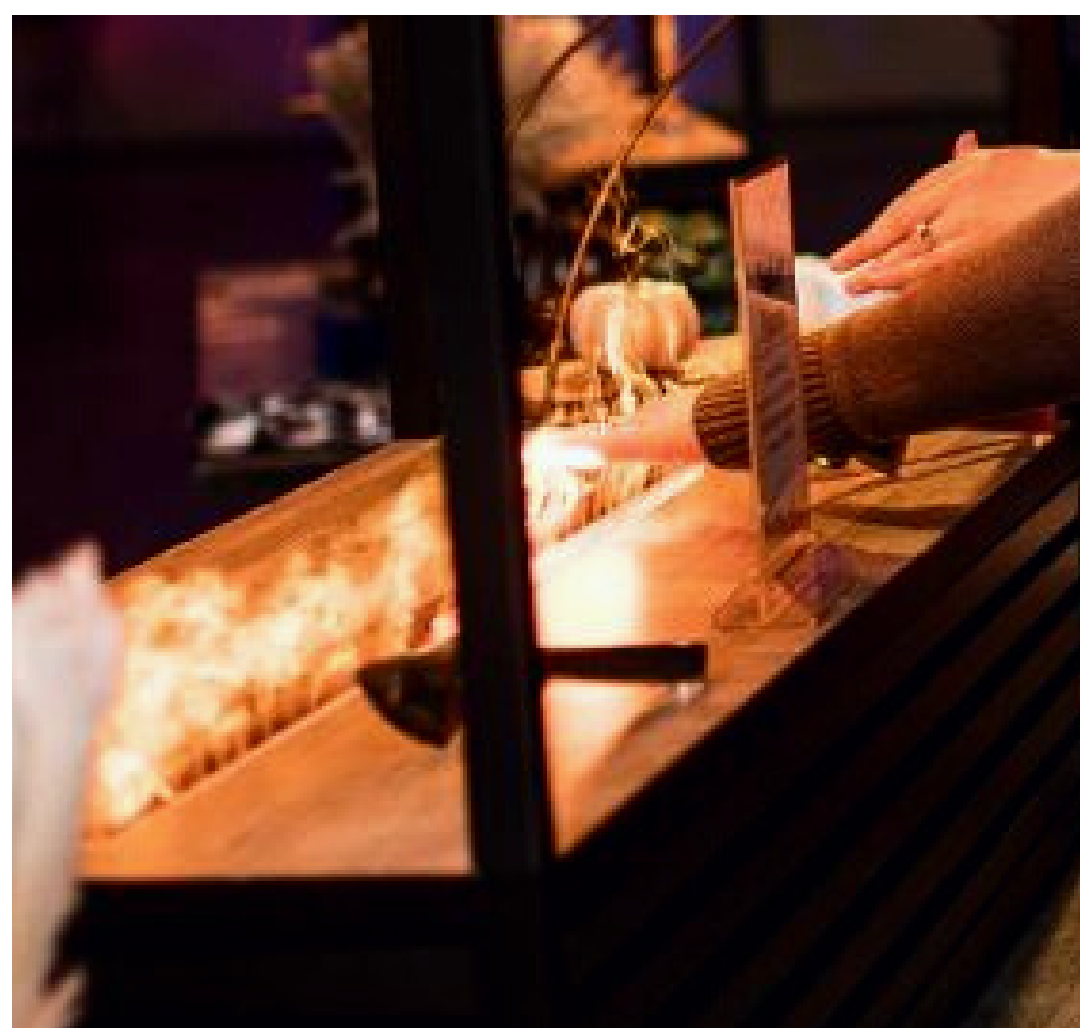
WANT YOUR CREATIVE, INNOVATIVE, STRATEGIC AND "WOW-WORTHY" WINS SHARED WITH OUR DIVISION?

[CLICK HERE TO FIND OUT MORE](#)

STEAM FIRE RISER: VIDEO

TABLETOP APPLICATION





STEAM FIRE TABLETOP RISER

FEATURES

COOL TO THE TOUCH

guests can place their hands directly over the "fire" since it is only steam that is being emitted from the unit

8-12 HOURS OF CONTINUOUS FLAMES

built-in water tank fills with tap water for long lasting usage

SIMPLE ELECTRIC REQUIREMENTS

order with the dimplex plug kit so that you can plug directly into your standard 120V outlet

DESIGNED FOR IMPACT

the fire unit shroud allows for customization with finishes, provides tiered food and beverage display with shelves, serves as a platform for station branding, and creates visual drama with overall height

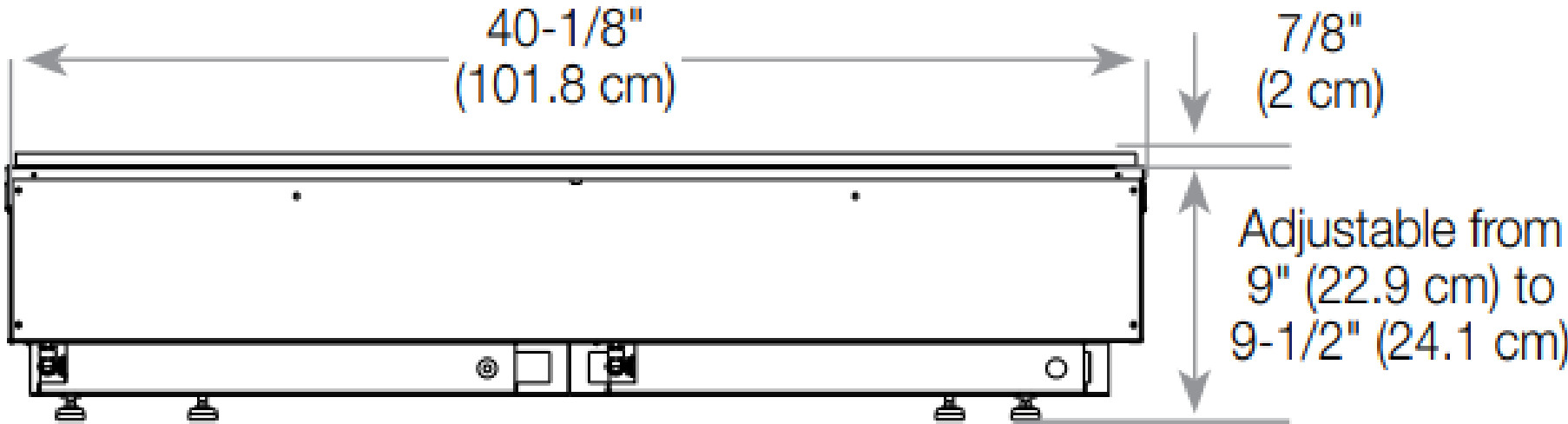


STEAM FIRE UNIT SPECIFICATIONS

CLICK ON IMAGE BELOW TO SEE FULL SPECIFICATION INFORMATION

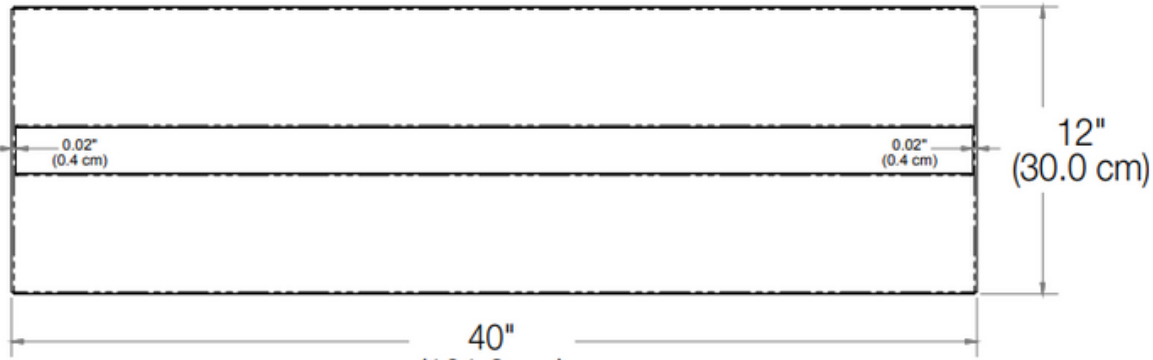


40" LONG UNIT



FRONT

MEDIA TRAY



TOP



Each fireplace insert ships with with UL Listed low voltage Power Converter that plugs into standard 120V outlet. Power Converter: store under or beside the fireplace insert; allow 7.0" x 3.25" x 2.5" thick for each Power Converter. If beside attach to side wall with Velcro, therefore 9.15"D

power transformer box to reside outside of shroud, mounted under banquet table

STEAM FIRE UNIT SHROUD

CONSTRUCTION SPECIFICATIONS

DURABLE

made of durable materials that can withstand wear and tear and also support the weight of the overhead shelving system

metal framing system (steel and aluminum tubing) under millwork for extra structural support

EASE IN SETUP

the bottom of shroud unit is open in order to place directly over the steam fire unit

nothing needs to be attached, just place quickly during setup

CUSTOM FINISH SELECTIONS

- exterior box laminate/ cladding
- shelf laminate
- powder coating color selection on metal elements
- overhead signage design

REMOVABLE UPPER SHELVING SYSTEM

the "box" around the steam fire unit looks clean without the upper shelving unit attached

this allows for concept and application versatility

DROP-IN SHELVES

drop-in laminated plywood shelves on bayonets without attachment hardware

removable if damaged and needing to be replaced vs. being permanently attached to unit

STATION BRANDING

the large overhead signage surface allows for station branding/ menu information to be placed

the aluminum material can withstand the removal of sticker decals over time

VENDOR INFORMATION

STEAM FIRE TABLE RISERS



STEAM FIRE UNIT

Contact:

Clint Istre
Electric Fireplaces Depot
Sales Consultant
Email: sales@electricfireplacesdepot.com
Phone: 800.309.2144 ext. 1



FIRE UNIT SHROUD

Contact:

Andrew Schillig
VGS / Studio D
Director of Business Development
Email: aschillig@vgs-inc.com
Cell: 614.648.7213



CONCEPT APPLICATION

Contact:

Hilary Barash
Levy Convention Centers
Area Director of Experience Design
Email: hbarash@levyrestaurants.com
Cell: 440.715.3675